

## VERSATILE, BORDERLESS FABRIC DISPLAY SERIES

With a virtually borderless appearance and powder coated steel base, the Infinity Standee is the sleekest, highest quality Standee available. But this display boasts more than just good looks. Designed with razor thin edge channels, media is easy to install and perfectly tensioned when paired with Britten's silicone-edged fabric banners.

### TOP PRODUCT BENEFITS

- 1 Allows for **fast and simple** media replacement with **perfectly tensioned appearance**.
- 2 **Fabric banners** are **light weight, elegant and wrinkle-free**.
- 3 **Clear anodized aluminum** (custom paint available).
- 4 **Wall-mounted, free standing, hanging or custom configurations** are all available with this versatile system!



Vibrant fabric material

Custom configurations available for wall-mounted frames

Borderless presentation (available in 3 depths)



## INFINITY STANDEE

An ultra-sleek, high-quality floor display for use with silicone-edged fabric banners.

With a virtually borderless appearance and powder coated steel base, the Infinity

Standee is the sleekest, highest quality standee display on the market. Designed with razor thin edge channels, media is easy to install and perfectly tensioned with silicone-edged fabric banners.

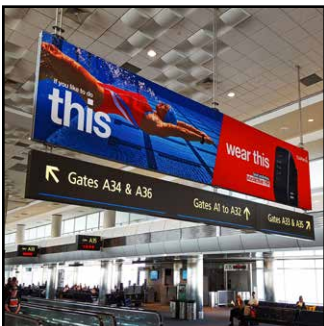


## INFINITY WALLSCAPE

Our incredible Infinity Wallscape frame makes any size wall a spectacular sight.

Make empty walls POP with our virtually invisible Infinity

Wallscape frame. Designed with razor thin edge channels, media is easy to install and perfectly tensioned when paired with Britten's silicone-edged fabric banners. Available in 3 frame depths, including 3/4", 2" and 3."



## HANGING INFINITY

Ceiling-suspended SEG frames can be displayed in a variety of configurations.

Available as a single-sided frame option, one piece double-sided, or two piece

double-sided (as shown above). We can customize any size configuration you need. Let our design engineers set up a perfectly-balanced display with a low profile option.



## INFINITY BACKWALL

Our freestanding, double-sided display comes in several standard sizes.

These functional and stylish SEG fabric backwalls are

perfect for photo opportunities, informational messaging, events and conventions, or anywhere you need eye-catching, large format branding.

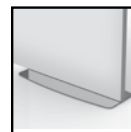


## CUSTOM INFINITY ENVIRONMENTS

Perfect for enclosed booths, temporary structures.

We can design an entire enclosure or custom SEG fabric display environment

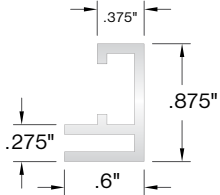
that can be set up in little time, easily relocated, and packed away in a simple crate.



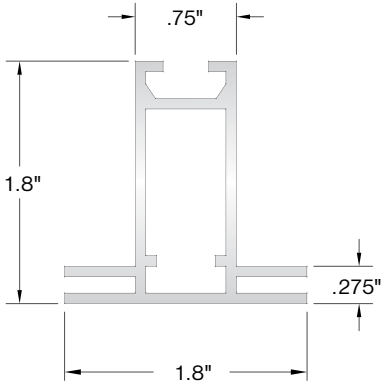
## ACCESSORIES

- Add our **Attaché brochure holder** to any Infinity display for printed takeaways.
- For smaller displays, we offer economical **foot pads** for stability.
- **25 lb. base plates** for superior strength and support with freestanding Infinity displays.
- Custom end gusset plates are available for super-format displays.

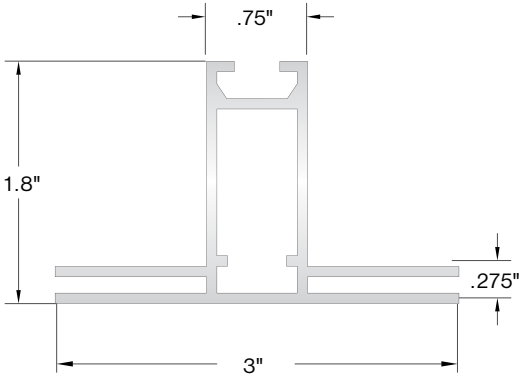
**3/4" INFINITY FRAME PROFILE**



**2" INFINITY FRAME PROFILE**



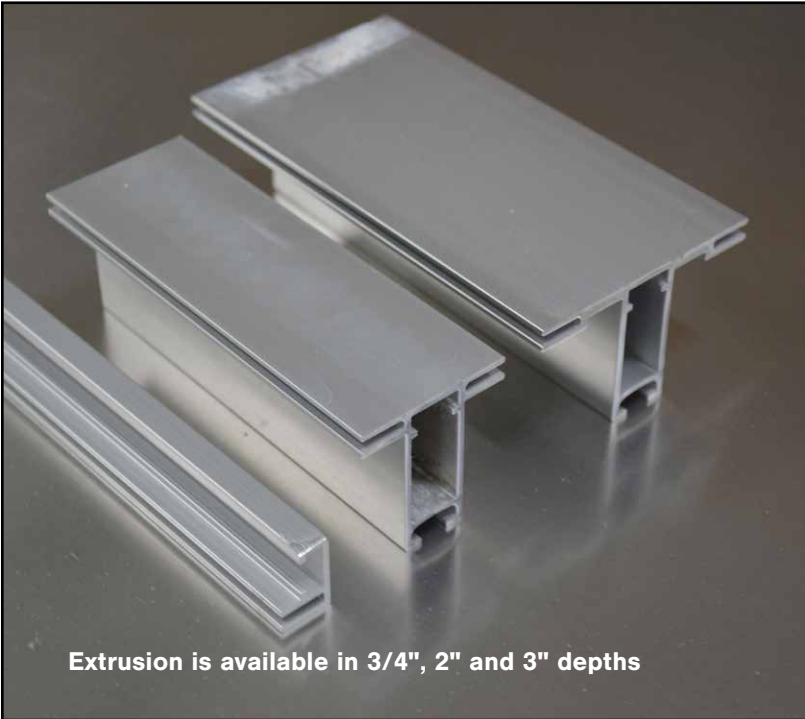
**3" INFINITY FRAME PROFILE**



*LED edgelit frames are also available.*



**Silicone Edged Graphic**



**Extrusion is available in 3/4", 2" and 3" depths**

**NEED PRINT?** Britten prints everything in-house, making coordinating your project easier than ever. We apply a silicone edging to our crisp, exceptionally vibrant direct-to-fabric prints for easy Infinity Standee installation. Call today to order at 855.763.8205.



**Simple and sturdy construction**



**Channel insertion of rubber silicon edging**



**Creates seamless look by using typical credit card along edges**



**Low-profile appearance with strong aluminum frame**

---

## INFINITY STANDEE | ARTWORK TEMPLATES

Each Infinity Standee size will be provided with its appropriate artwork design template. Call Britten for more information.

---

## INFINITY STANDEE | WARRANTY

Britten Inc. offers a conditional one year warranty against product design and manufacturing assuming proper installation and proper operational conditions. During the warranty period, Britten Inc. will repair or replace the exterior standee. The warranty only applies to the original purchaser and is in lieu of all other warranties expressed or implied for a period of one year from the date of purchase. Britten Inc. will not warranty the following: SHIPPING; Customer is to bear all shipping expense to return the unit to Britten Inc. LABOR; associated with the removal or installation of the unit. DAMAGE; caused by misuse, neglect abuse, accidents, alterations, corrosive environments, and any other abnormal service conditions.

**Claims against the warranty must include:**

- Pictures of the installation
- Written description of the problem
- Return Material Authorization issued by Britten Inc.