

RotoTop™

FLAGPOLE HARDWARE WITH A TWIST

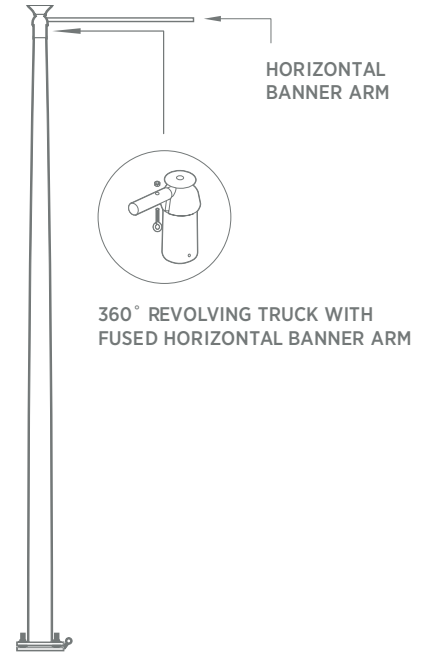
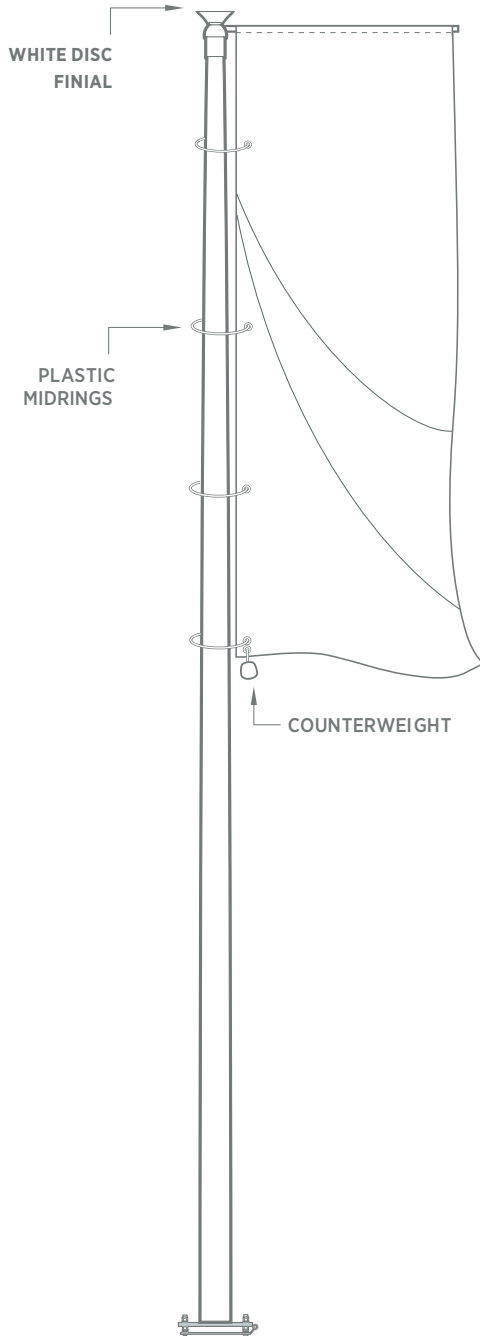
There's nothing worse than seeing your beautiful and brand-perfect flag tangled & wrapped around your flagpole, essentially invisible to your potential customers. Our RotoTop™ flagpoles are engineered so that flags safely rotate with the breeze. This ensures that your message is always visible, whether it is calm or windy.

ROTOTOP™ FLAGPOLES ARE PERFECT FOR:

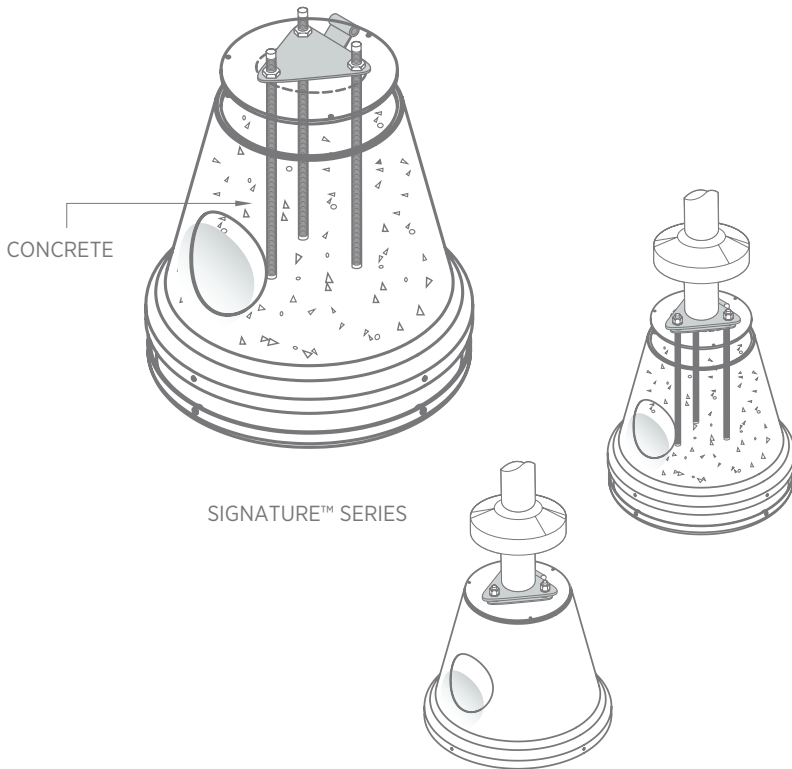
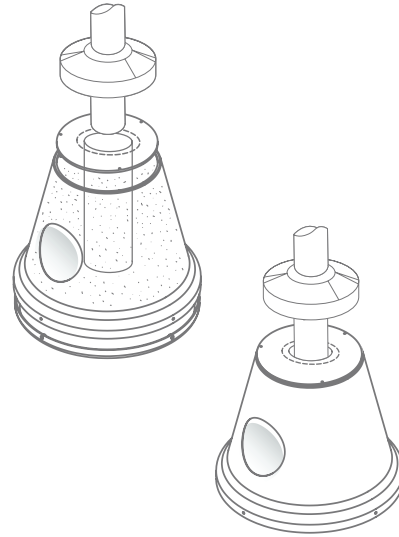
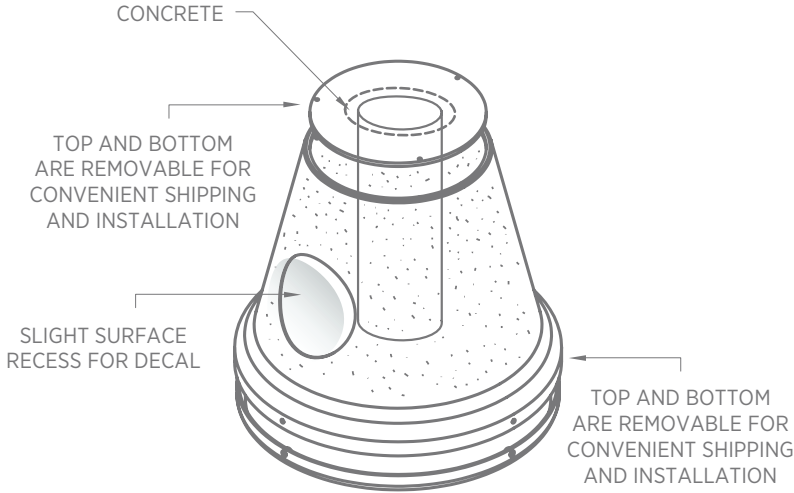
- + Entryways
- + Parking Lots
- + Special Event Venues
- + Municipal Buildings
- + Plazas, concourses, and street side

Set-up is easy, simply fill the portable base with concrete, tilt the flagpole at its hinge, and hang your RotoTop™ flag.





RotoTop™ Banner System Assembly Specifications		
RotoTop™ Assembly Model	RTA2040	
RotoTop™ Flag Pole Model	RTF2040	
Pole Dimensions		
Flagpole Length	20'	25'
Horizontal Banner Arm Length	60"	60"
Horizontal Banner Arm Diameter	1"	1"
Weights		
Flagpole Weight lb.	38	44
Hardware Kit lb.	4	4
Total Shipping Weight lb.	42	48
Flagpole Translated Wind Strength-Unflagged		
m/s	80	80
km/h	288	288
mph	179	179
Fabric Allowances - Per Wind Strength		
Standard Fabric Square Footage	10'	18'
Maximum Fabric Square Footage	18'	28'



RotoTop™ Fibercrete Base Specifications	
Fibercrete - White Base Model	110441-C
Construction	
Base Material	Linear medium density polyethylene (LMDPE). UV light stabilizers for long-term outdoor use. Stainless steel nuts and washers.
Wall Thickness	1/4"
Stable Operating Temperature	140°F / 60°C
Overall Fibercrete Height	33"
Top Diameter	21.86"
Bottom Diameter	38"
Decal Recess Diameter	12"
Volume Capacity	
Cubic Meters	0.5 msq
Gallons	7.5 gallons
Liters	325 L
Weights	
Fibercrete Shell Weight - Empty lb.	40
Fibercrete Filled Weight - Concrete lb.	1,746
Decal Recommendations	
0.10" clear PSV adhesive with UV inhibitor. Synthetic rubber based for breathing during curing.	



ROTOTOP™ DISPLAY SYSTEMS | FAQs

How is the RotoTop™ system assembled?

Set-up is easy, simply fill the portable base with concrete, tilt the flagpole at its hinge, and hang your RotoTop™ flag.

How easily is the base transported?

Once the portable base has been filled with concrete, moving the system into storage or a different location is most easily accomplished using a forklift.

What are the flag sizes?

RotoTop™ Flags can be custom made to nearly any size up to 14'h x 4'w. Exact specifications are available for each system produced.

What material is used for the printed flag?

Britten uses a high-quality flag material for outdoor applications. Contact us to order your flags at 855.763.8203.

ROTOTOP™ FLAGS | DESIGN TEMPLATES

Each RotoTop™ display system will be provided with its appropriate design template to ensure the print quality of your flag.

WARRANTY

Britten Inc. offers a conditional one year warranty against product design and manufacturing assuming proper installation and proper operational conditions. During the warranty period, Britten Inc. will repair or replace the product. The warranty only applies to the original purchaser and is in lieu of all other warranties expressed or implied for a period of one year from the date of purchase. Britten Inc. will not warranty the following: SHIPPING; customer is to bear all shipping expense to return the unit to Britten Inc. LABOR; associated with the removal or installation of the unit. DAMAGE; caused by misuse, neglect abuse, accidents, alterations, corrosive environments, and any other abnormal service conditions.

Claims against the warranty must include:

- Pictures of the installation
- Written description of the problem
- Return Material Authorization issued by Britten Inc.



Britten produces everything in-house, making planning and coordinating your project easier than ever. We print directly to polyester materials with eco-friendly inks for Infinity frames (and many other applications). Contact Britten to order media at 855.763.8203.